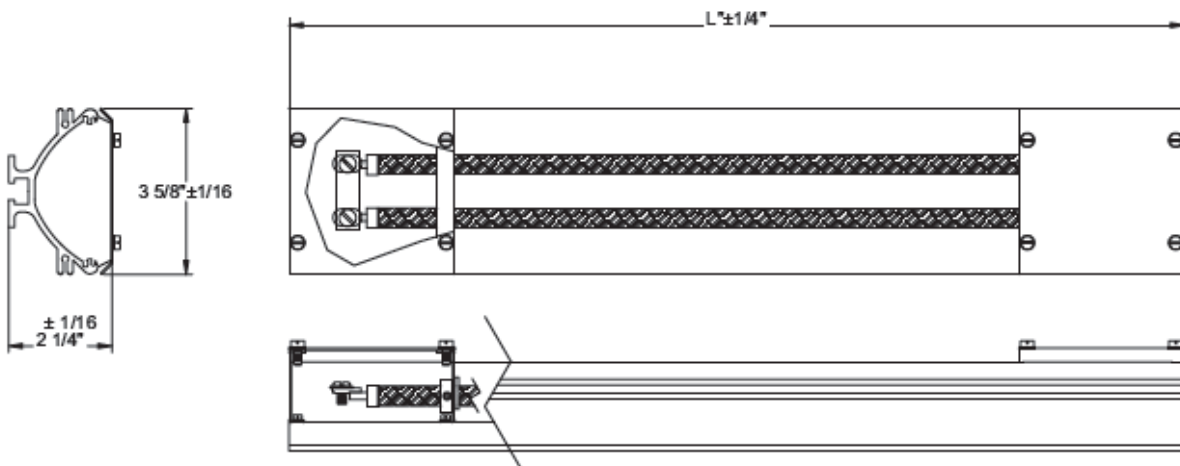


Metal Tube Radiant Panels

The RH-Series Panel

RH Series Radiant Heater Assemblies are metal sheathed Tubular Heaters mounted in an aluminum housing with a polished reflector. This package delivers infrared heat (2.5 - 3 micron range) to the surface being heated over a typical range of 500°F. The practical maximum temperature is 900°F.



Specifications	
Electrical	Mechanical
Voltage: 120, 240 and 480 Volts	Rigid extruded aluminum housing
Wattage: 800 to 7200 Watts	Incoloy®800 sheathed tubular element (maximum sheath temp - 1500°F)
Length: 24 to 86 Inches	Polished aluminum reflector
	Adjustable mounting bolts (3/8" Dia)
	1/2" NPT tapped wiring holes
	Snap-on protective grill available